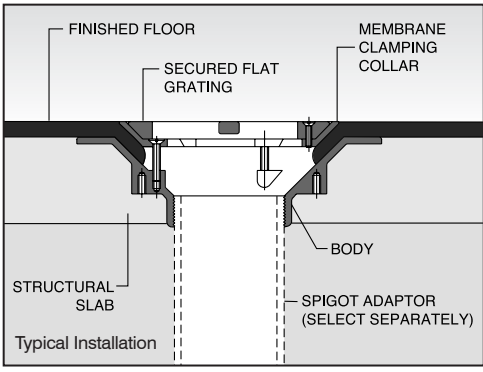


Gullies for Asphalt/Composition Finished Floors

Cast Iron, Non-Trapped, Uni-Level
For areas subject to car and light vehicular traffic

CONNECTIONS

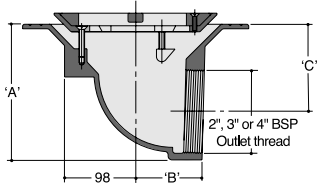
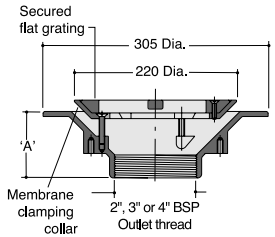
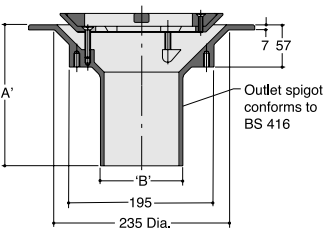
Bodies with spigot outlet are for direct connection to BS416 pipework; versions with BSP threaded outlet are for connection to pipework by means of a spigot adaptor. Details of adaptors for connecting to different types and sizes of pipework are shown in Section 10.



WB30 Series (Integral) Spigot Outlet

WB32 Series Vertical Threaded Outlet

WB33 Series Horizontal Threaded Outlet



Gully Spec. Code	Outlet Size	Outlet Size	A mm	B mm	C mm	Body Free Area cm ²	kg
WB303	75mm	Spigot	165	87	•	44	6.2
WB304	100mm	Spigot	190	112	•	78	7.1
WB322	2" BSP	Vertical, Threaded	90	•	•	19	7.5
WB323	3" BSP	Vertical, Threaded	90	•	•	44	6.5
WB324	4" BSP	Vertical, Threaded	90	•	•	78	5.9
WB332	2" BSP	Horizontal, Threaded	119	145	80.5	19	8.6
WB333	3" BSP	Horizontal, Threaded	119	145	67.5	44	8.0
WB334	4" BSP	Horizontal, Threaded	183	90	117.0	78	9.8

FEATURES

Bodies – choice of outlet type and size as illustrated
Grating – ductile iron with sherardized protective coating; secured, non height-adjustable.

Dia. mm	Load Rating N/mm ²	Class	Free Area cm ²
220	10	L15	130

Membrane clamping collar which also serves to connect the grating to the body is included with this Series.

OPTIONS

Filter bucket, stainless steel - WG301

Notes:

- Vari-Level grating K2501A shown in Section 5G ci when used with any Vari-Level body shown in Section 5B, and direct connection grating K2591A shown in Section 6G ci are also suitable for car and light vehicular traffic areas with an asphalt/composition finish.
- Vari-Level gratings shown in Section 5G are suitable for use in asphalt/composition finished floors subject to pedestrian traffic, if used with Vari-Level Bodies D10-D12, shown in Section 5B ntcibm.

For information on flow rates please contact our Technical Services Dept.

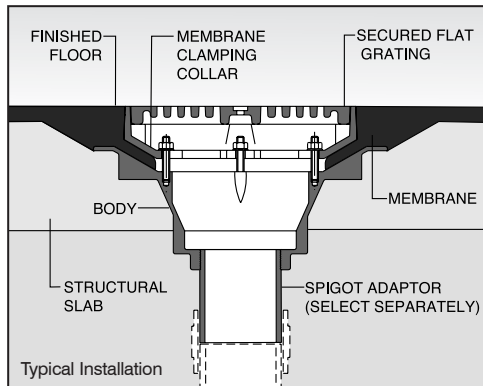
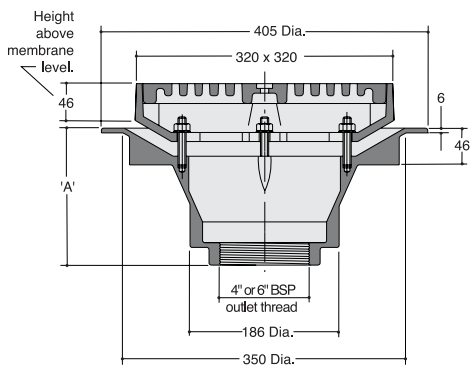


Gullies for Asphalt/ Composition Finished Floors

Cast Iron, Non-Trapped, Uni-Level
For areas subject to car and light vehicular traffic

CONNECTIONS

Bodies have BSP threaded outlet are for connection to pipework by means of a spigot adaptor. Details of adaptors for connecting to different types and sizes of pipework are shown in Section 10.



Spec. Code	Outlet Size	A mm	Body Free Area cm ²	kg
WB514	4" BSP	171	78	26.4
WB516	6" BSP	149	176	23.9

FEATURES

Bodies – choice of outlet type and size as illustrated
Grating – ductile iron with sherardized protective coating; secured, non height-adjustable.

Size mm	Load Rating N/mm ²	Load Rating Class	Free Area cm ²
320 x 320	5	M125	295

Membrane clamping collar which also serves to connect the grating to the body is included with this Series.

OPTIONS

Filter bucket, stainless steel - WH402

Notes:

- Vari-Level grating K2501A shown in Section 5G ci when used with any Vari-Level body shown in Section 5B, and direct connection grating K2591A shown in Section 6G ci are also suitable for car and light vehicular traffic areas with an asphalt/composition finish.
- Vari-Level gratings shown in Section 5G are suitable for use in asphalt/composition finished floors subject to pedestrian traffic, if used with Vari-Level Bodies D10-D12, shown in Section 5B ntcibm.

For information on flow rates please contact our Technical Services Dept.

