

Wade are pleased to announce a new range of parapet outlets for 2007, with improved features and a wide range of options.

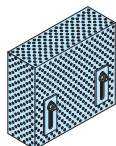
Parapet outlets can be used with downspout nozzles as illustrated on page 2. Cast iron body versions WF002 to WF064 have a sherardized ductile iron membrane clamping collar, which allows the grating to be removed for maintenance without disturbing the membrane. Versions WF105 to WF125 have a stainless steel membrane clamping collar.

Flow Rate

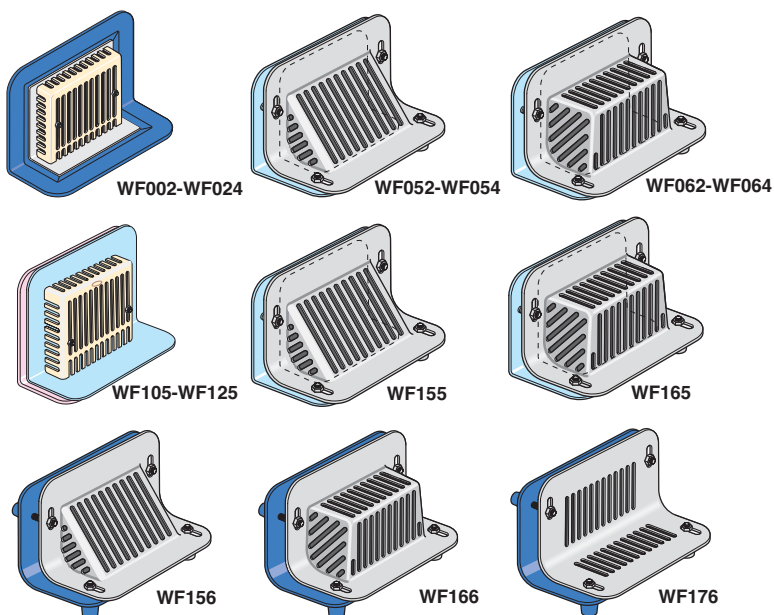
Area drained (m^2) is given for each parapet outlet in horizontal plane, at a head of 35mm and rainfall rate of 75mm/h or 0.021 l/s per m^2 . Graphs comparing the flow rate performance of parapet outlets in horizontal and vertical planes at different heads are shown in our full Roof Outlets technical manual.

Accessory - Gravel Guard

To specify/order add suffix "G"

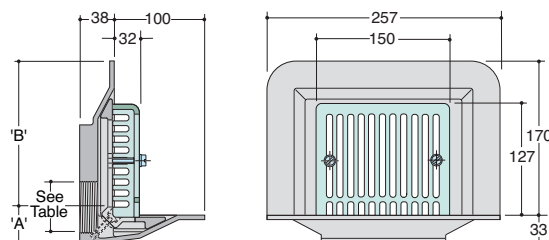
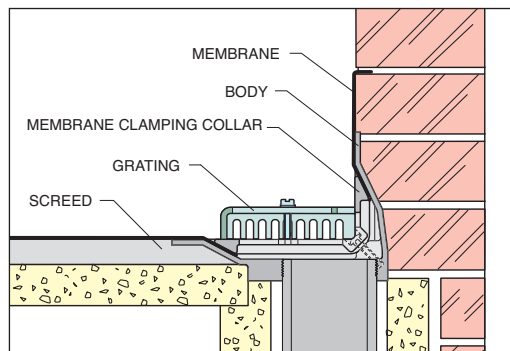


All versions are supplied with stainless steel fixings.

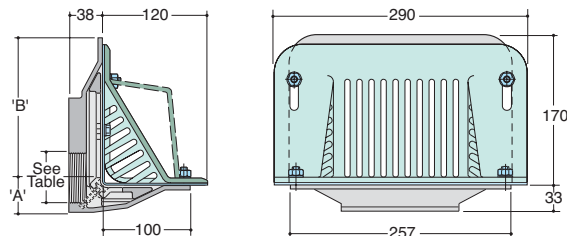


Spec Code	Outlet Size	A	B	Area Drained m^2	Weight kg	Grating	Body
WF002	2" BSP	39	164	41	5.8	Nickel Bronze	Cast Iron
WF003	3" BSP	52	151	47	5.1	Nickel Bronze	Cast Iron
WF004	4" BSP	65	137	48	4.7	Nickel Bronze	Cast Iron
WF012	2" BSP	39	164	41	5.3	Aluminium	Cast Iron
WF013	3" BSP	52	151	47	4.6	Aluminium	Cast Iron
WF014	4" BSP	65	137	48	4.2	Aluminium	Cast Iron
WF022	2" BSP	39	164	41	5.9	Cast Iron	Cast Iron
WF023	3" BSP	52	151	47	5.2	Cast Iron	Cast Iron
WF024	4" BSP	65	137	48	4.8	Cast Iron	Cast Iron
WF052	2" BSP	39	164	41	7.2	Aluminium	Cast Iron
WF053	3" BSP	52	151	47	6.5	Aluminium	Cast Iron
WF054	4" BSP	65	137	48	6.1	Aluminium	Cast Iron
WF062	2" BSP	39	164	41	7.0	Aluminium	Cast Iron
WF063	3" BSP	52	151	47	6.3	Aluminium	Cast Iron
WF064	4" BSP	65	137	48	6.0	Aluminium	Cast Iron
WF105	4" BSP	65	120	48	1.8	Nickel Bronze	PVC*
WF115	4" BSP	65	120	48	1.5	Aluminium	PVC*
WF125	4" BSP	65	120	48	1.9	Cast Iron	PVC*
WF155	4" BSP	65	120	48	3.2	Aluminium	PVC*
WF165	4" BSP	65	120	48	3.0	Aluminium	PVC*
WF156	6" BSP	91	132	65	9.4	Aluminium	Cast Iron
WF166	6" BSP	91	132	81	9.2	Aluminium	Cast Iron
WF176	6" BSP	91	132	91	11.3	Aluminium	Cast Iron

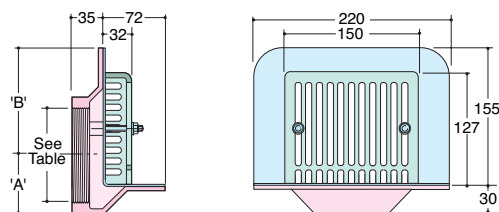
* With PVC body for use with single ply membrane; see page 2 for illustration.



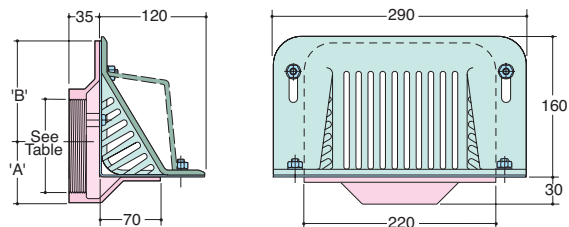
WF002 - WF024



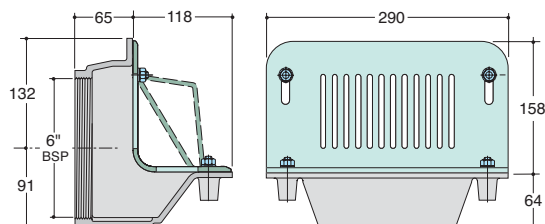
WF052 - WF064 (See page 2 for installation detail)



WF105 - WF125



WF155, WF165



WF156, WF166, WF176

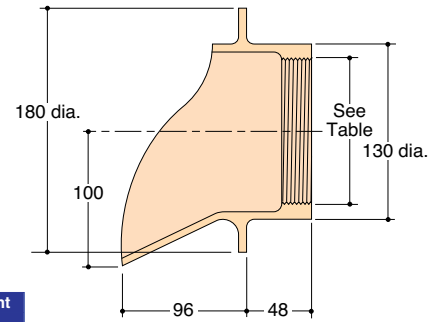
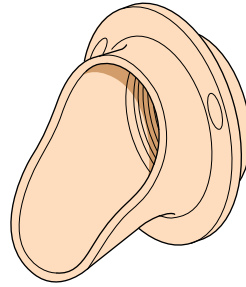
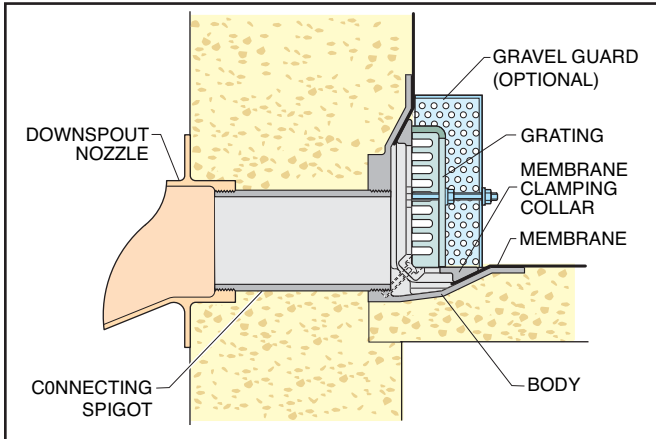
DOWNPOUT NOZZLES - CAST GUNMETAL

Wade offers a range of downspout outlets with threaded inlet, designed for installation on the outside face of a parapet wall to discharge water to lower levels.

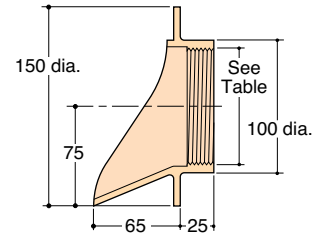
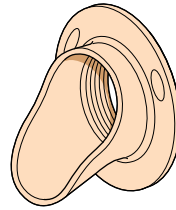
Typical Installation

The illustration shows a downspout nozzle connected to a parapet outlet.

Note: When specifying / ordering a connecting spigot, please advise the wall / parapet thickness.

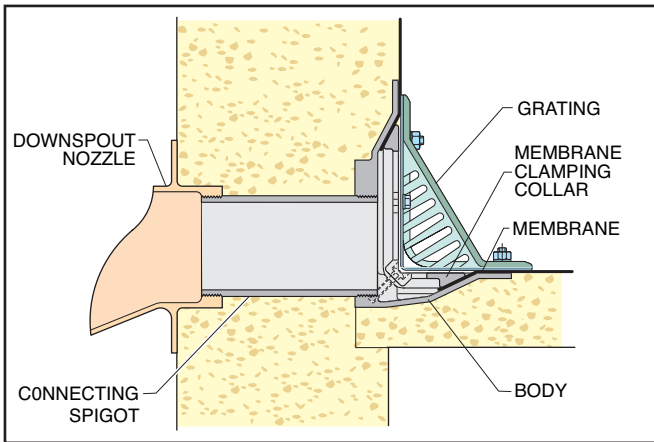


Spec Code	Outlet Size	Weight kg
WJ102	2" BSP	6.3
WJ103	3" BSP	4.4
WJ104	4" BSP	3.9



Spec Code	Outlet Size	Weight kg
WJ202	2" BSP	2.1
WJ203	3" BSP	1.5

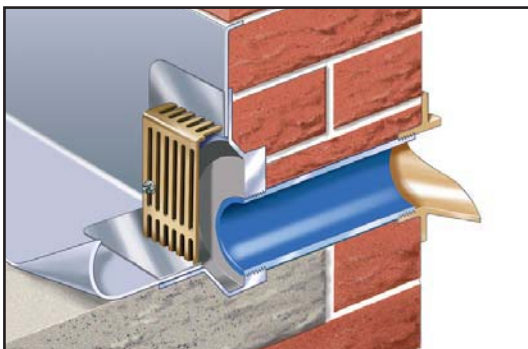
WF052 - WF064 TYPICAL INSTALLATION DETAIL



Parapet Outlet versions WF052 - WF064 utilise the same cast iron body and sherardized ductile iron membrane clamping collar as the WF002 - WF024, with the addition of a stainless steel adaptor plate to enable fitting of the 290mm wide aluminium grating.

The membrane is dressed onto the flange of the cast iron body and securely clamped by the sherardized ductile iron membrane clamping collar forming a watertight seal. To fit the grating, the stainless steel adaptor plate is secured to the membrane clamping collar, enabling the grating to bolt onto the adaptor.

WF105 - WF165 TYPICAL INSTALLATION DETAIL



Parapet Outlet versions WF105 - WF165 have a reversible PVC body for use with PVC single ply membranes.

PVC based membranes may be solvent or heat welded directly to the PVC flange on site to produce a watertight seal.

A stainless steel membrane clamping collar protects the edges of the membrane, and the grating is then secured in place.

For dimensions and details see page 1.